



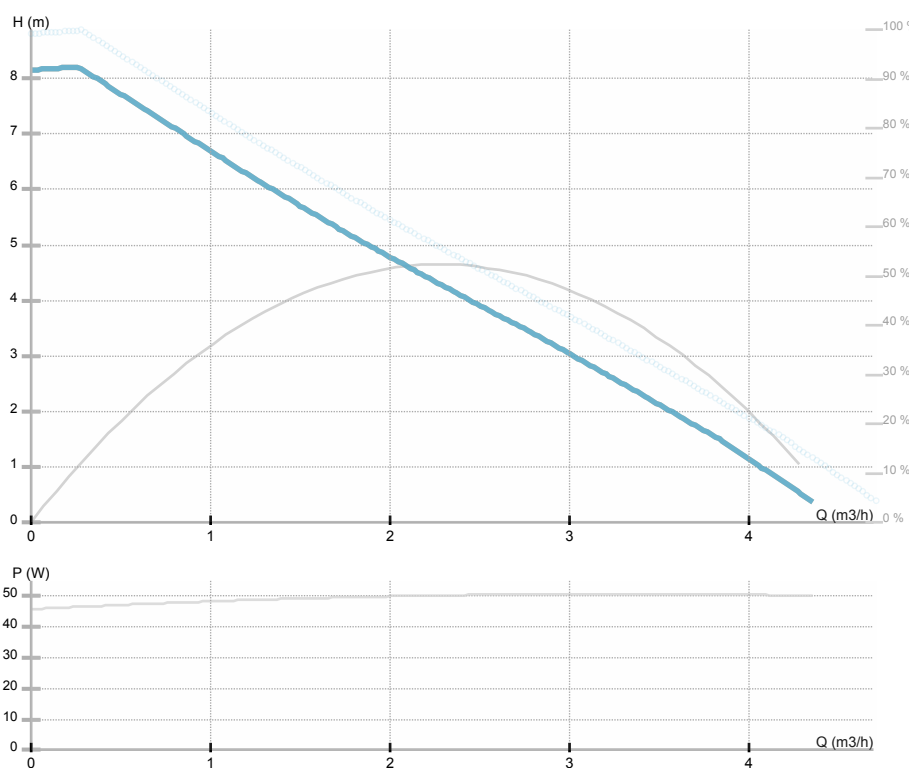
NMT MINI 25/80-130

979525356

NMT MINI

GENERAL

Product number	979525356		
Product name	NMT MINI 25/80-130	MEI	/
Seal type	/	Energy efficiency index	0.18
Net weight	1.65 kg		
Head max. (H max)	8.2 m	H min	0.0 m
Flow max. (Q max)	4.4 m³/h	Q min	0.0 m³/h
	%		
Noise	≤43 dB(A)		



ELECTRICAL DATA

Supply voltage	1~230 V
Mains frequency	50/60 Hz
Power input max.	50 W
Speed max.	5600 rpm
Insulation class	F (155 °C)
Current max.	0.5 A
Protection class	IP44
Thermal protection	NTC
Frame size	
Motor IE class	/

INSTALLATION

Pumped liquid	water VDI 2035, glycol 40%
Liquid temperature	-10.0 ÷ 110.0 °C
Ambient temp. range	40 °C
Port-to-port length	130 mm
Pipe connection	25
Pressure rating	G 1 ½
Connection	G 1 ½
Max operating pressure	1.0 MPa

MATERIAL

Bearing	all carbon
Impeller	Noryl Fe 1630PW
Hydraulics	gray cast iron
Shaft	AISI 420

NMT MINI 25/80-130

979525356

NMT MINI



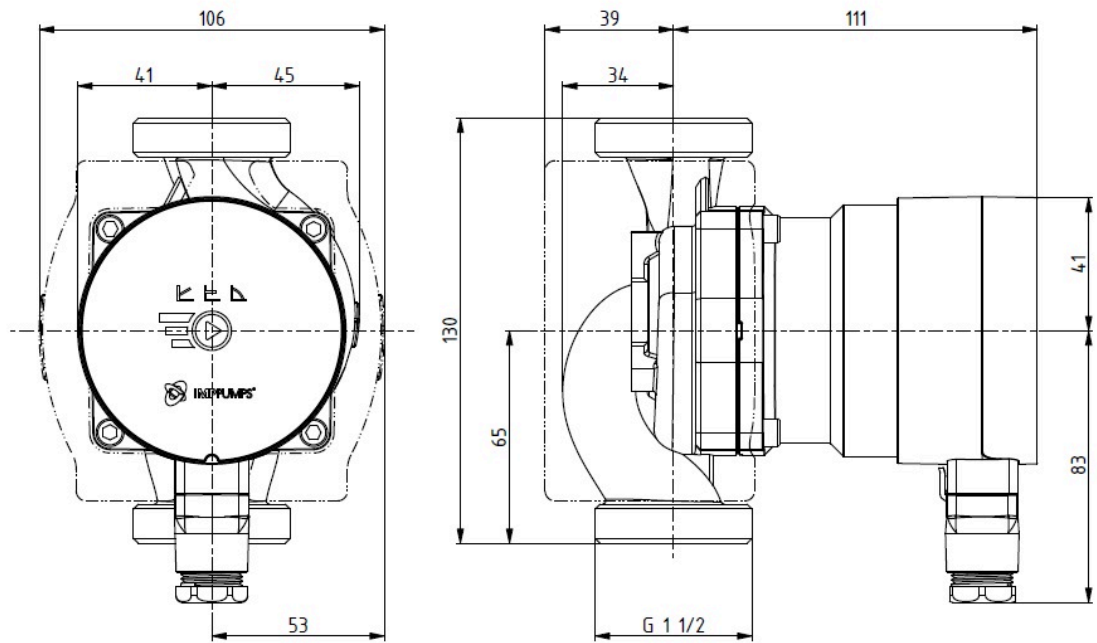


NMT MINI 25/80-130

979525356

NMT MINI

Dimension drawing



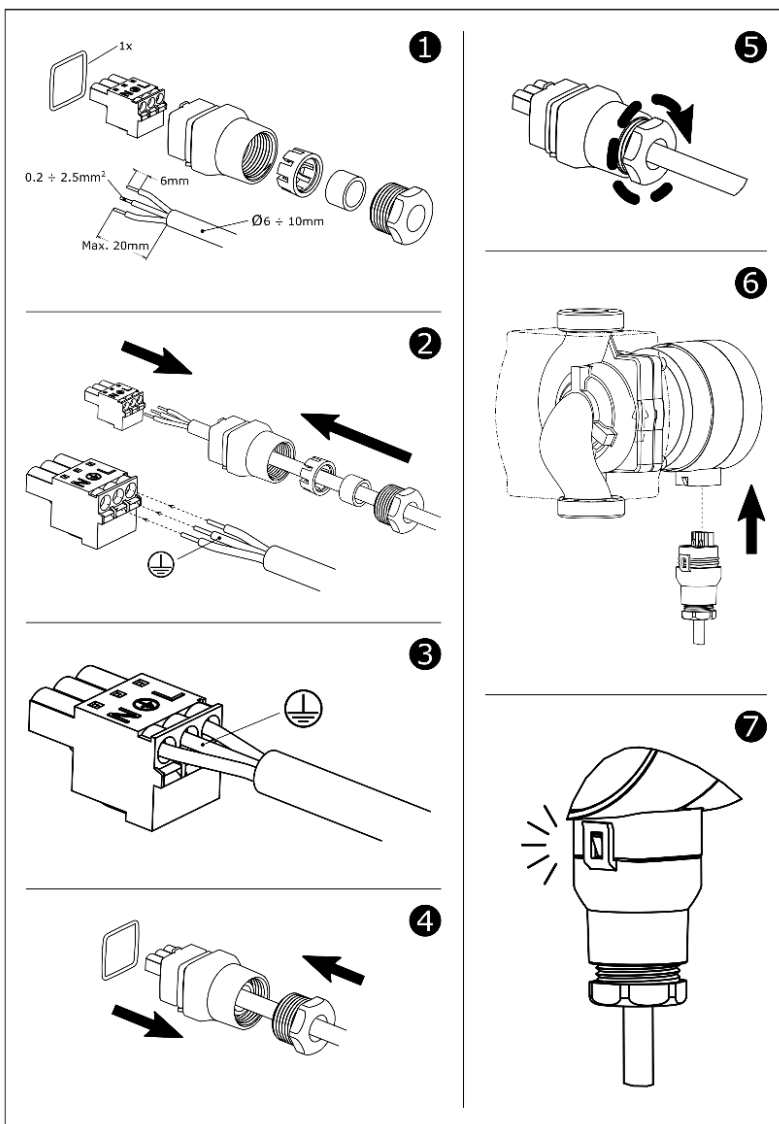


NMT MINI 25/80-130

979525356

NMT MINI

Electrical wiring





NMT MINI 25/80-130

979525356

NMT MINI